

Radiant floor thermostat 8 zones DIN rail

D-8THERMO

Description

Programmable thermostat for DIN rail for 8-zone temperature scheduling. Can be used for underfloor heating, radiators and power switching modules from 8 independent circuits up to 16A.

Functionalities

- Independent programs for winter and summer;
- 3 operating periods per weekday;
- Possibility to associate remote unit;
- Integration with automation;
- Scenarios.

Application

Housing, Hotels, Offices, Factories.

Accessories

- Tactile panels:
- T-OLEDx-x connected to wall modules (W-2ONOFF, W-INPKKEY, W-1SHUTT);
 - TW-OLED.

Certifications

- EN 60669-2-1
- Low voltage directive 2014/35 / EU
- EMC directive 2014/30 / EU

Protections

This unit must be protected by a 6A circuit breaker. This circuit breaker can also protect the supply of other Atouch DIN rail modules protected by the same differential switch.

Notes

The valves can be 12VDC / 24VDC or 230V and share the same supply (L) 4 to 4. Adequate protection for the valves must be provided, either by dedicated circuit breaker or at the low voltage source. Each zone must be associated with a different T-OLED. A T-OLED can only be associated with a radiant floor area.



Assembly

DIN rail mounting.
5 space modules.

Connections

- L: Phase x 1 for 1.5 mm wire Ø
- N: Neutral x 1 for 1.5 mm wire Ø
- B: Bus x 1 for 1.5 mm wire Ø
- L: common zones 1 to 4 for 1.5 mm wire Ø
- 1 to 4 : valves 1 to 4 for 1.5 mm wire Ø
- L: common zones 5 to 8 for 1.5 mm wire Ø
- 5 to 8: valves 5 to 8 for 1.5 mm wire Ø

Electrical characteristics

Power:	230 V 50 Hz
Maximum consumption:	1.5 W
Maximum current:	16 A total (cos φ = 1) 10 A total (cos φ = 0.4)
Contact material:	Ag alloy (Cd free)

Warranty

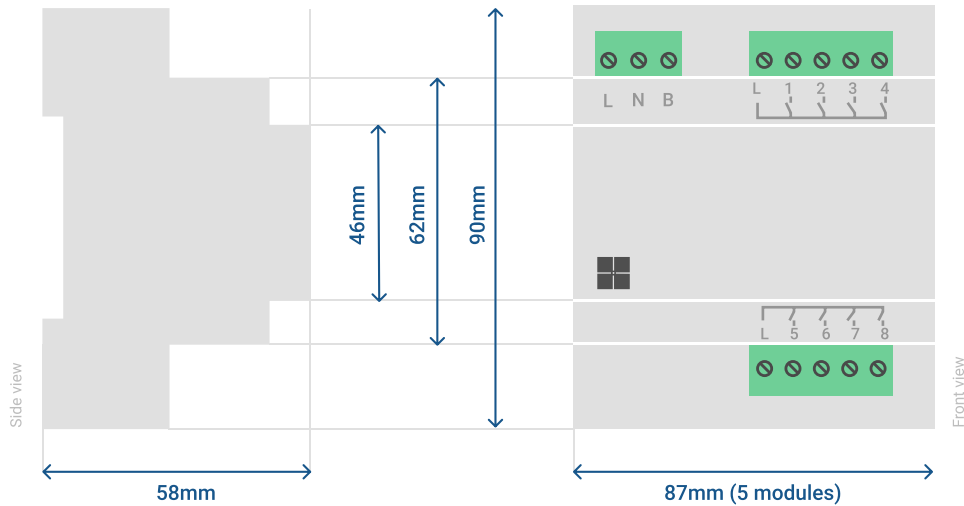
The warranty period is 5 years. Keep the invoice preserved for this purpose. Warranty is void if the product shows:

- changes to the labels surrounding the product;
- electrical damage caused by misuse;
- surface damage such as scratches, cuts and tears.

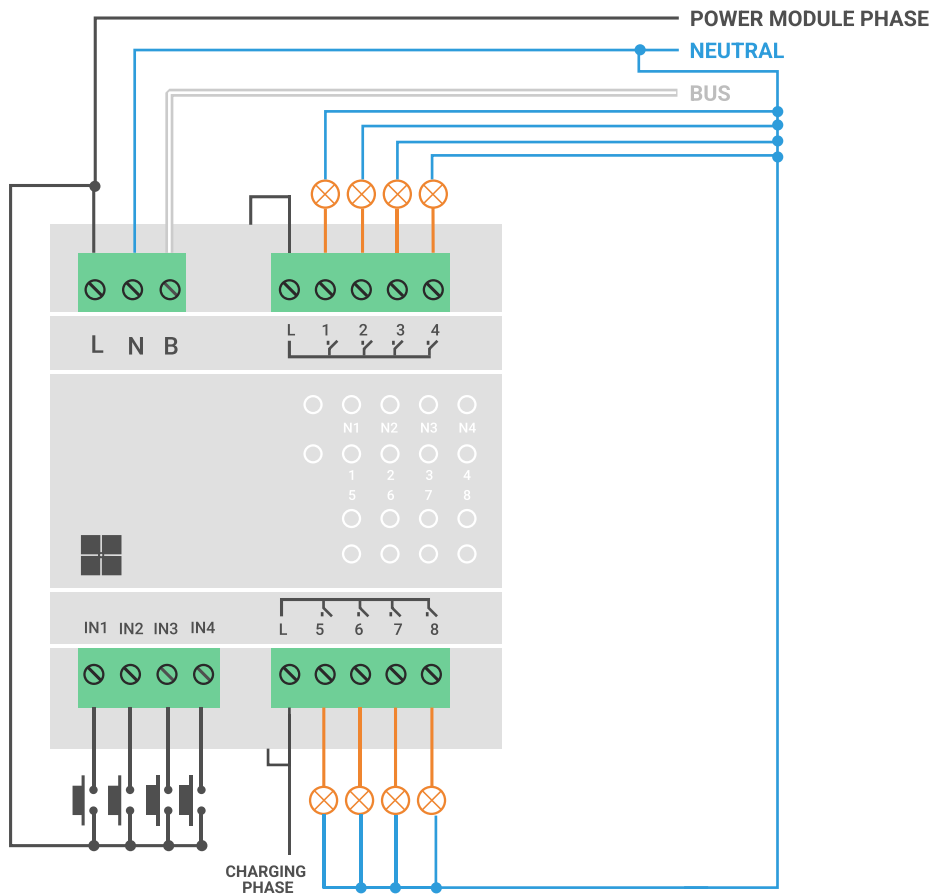
Radiant floor thermostat 8 zones DIN rail

D-8THERMO

Dimensions



Wiring diagram (For 2300 valves on the same circuit breaker)



Radiant floor thermostat 8 zones DIN rail

D-8THERMO

Wiring diagram (For 230 VAC valves on different circuit breakers)

