

Security Center - 8 Zones

B-SEC

Description

Security center (8 zones)

Included:

- B-SEC PCB;
- Transformer 2.2A;
- Compartment for reserve battery 12V 7Ah;
- Metal box protected with tamper switch;
- Internal wiring.

Functionalities

- Intrusion protection for home and garage;
- 24 hour protection: fire / smoke, gas and water;
- Alarm scenarios;
- 1024 events recording.

Application

Housing, Offices, Factories.

Accessories

Atouch:

- W-SEC
- T-SEC
- RC-4BRF

Third party material (not included):

- 7Ah battery
- Siren, Detectors, Sensors, Valves, Others

Certifications

- EN50131 grade 2 certification - Pending

Protections

The unit must be protected by a 6A circuit breaker. This circuit breaker can also protect the supply to other Atouch DIN rail units in the same RCD segment.

Installation

On any flat surface.



Connections

- Power GPRS - max:200mA
- Backup battery - max:1.5A
- Out W-4SEC 12V - max:500mA
- Isolated BUS
- 8 zones with power supply (NC)- max:500mA
- Safety BUS for expanders
- Loop tamper
- External sirens - max:500mA
- Internal sirens - max:200mA
- Gas and water shut-off valves 12V - max:300mA

Electrical characteristics

Power Supply: 230V ~ 50/60 Hz

Notes

-**External Metal Box:** 25.5 cm X 25.5 cm X 9.2 cm

-**Water Zone:**

- Detector as Normally Open (NO)
- Recommended detectors:
Max Alarm WD 1000 or aguilera AE98 / IN

Warranty

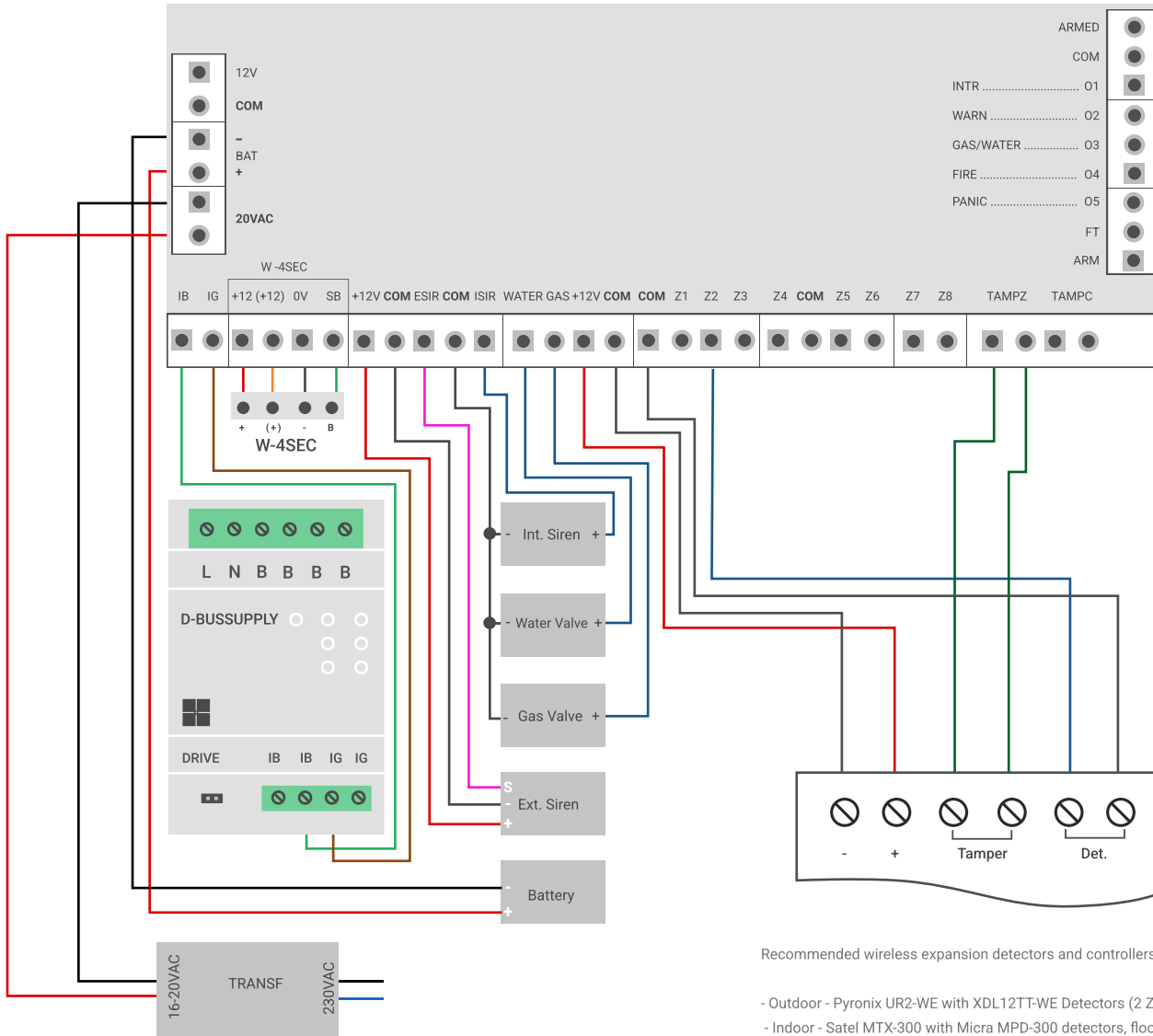
The warranty period is 5 years. Keep the invoice preserved for this purpose. Warranty is void if the product shows:

- changes to the labels surrounding the product;
- electrical damage caused by misuse;
- surface damage such as scratches, cuts and tears;
- other damages that invalidate it.

Security Center - 8 Zones

B-SEC

Wiring diagram



Recommended wireless expansion detectors and controllers:

- Outdoor - Pyronix UR2-WE with XDL12TT-WE Detectors (2 Zone Reports)
- Indoor - Satel MTX-300 with Micra MPD-300 detectors, flood, smoke (8 Zone Reports).

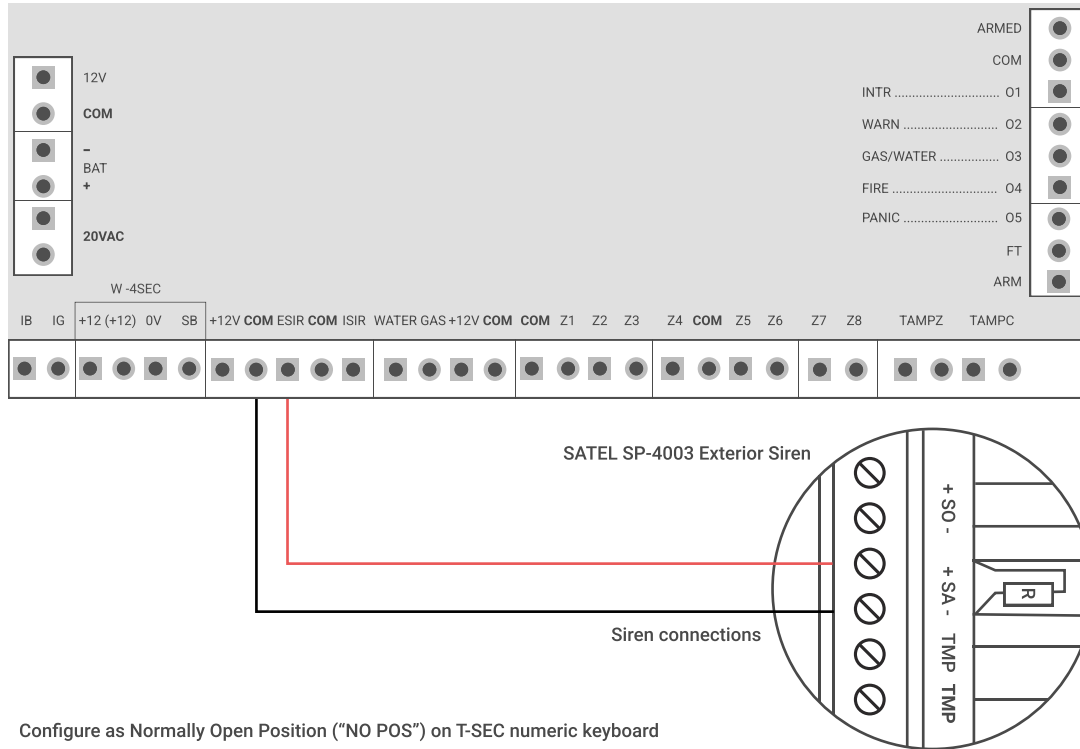
Alarm Modes

Mode	Activated Zones			Touch Panel
	Garage	Perimeter	Interior	Assumes Detector Function
Garage	●			
Night	●	●		
Total	●	●	●	●

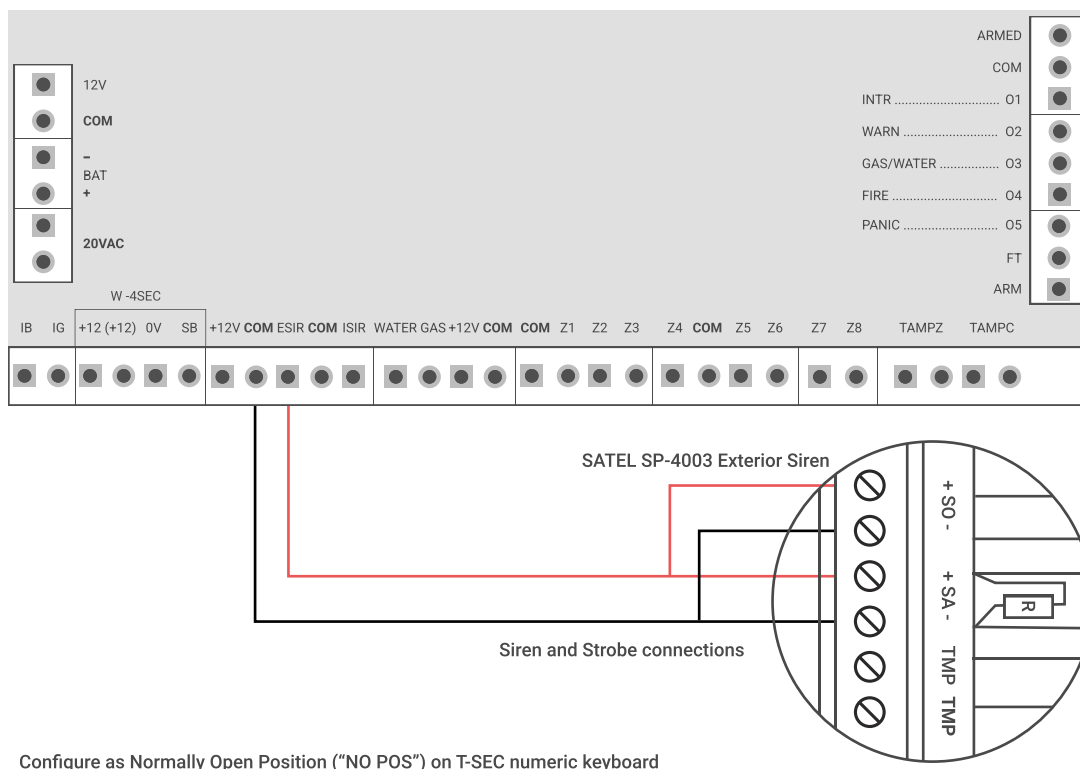
Security Center - 8 Zones

B-SEC

Wiring diagram - Exterior Siren



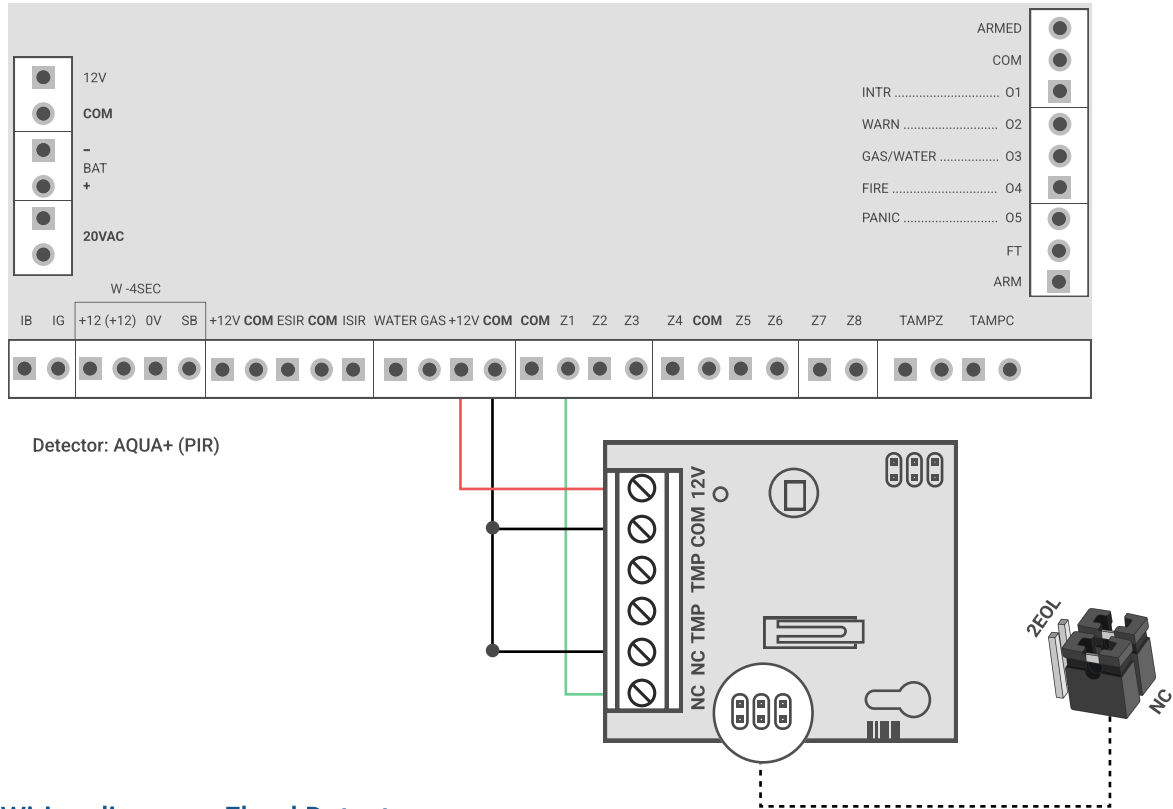
Wiring diagram - Exterior Siren and Strobe



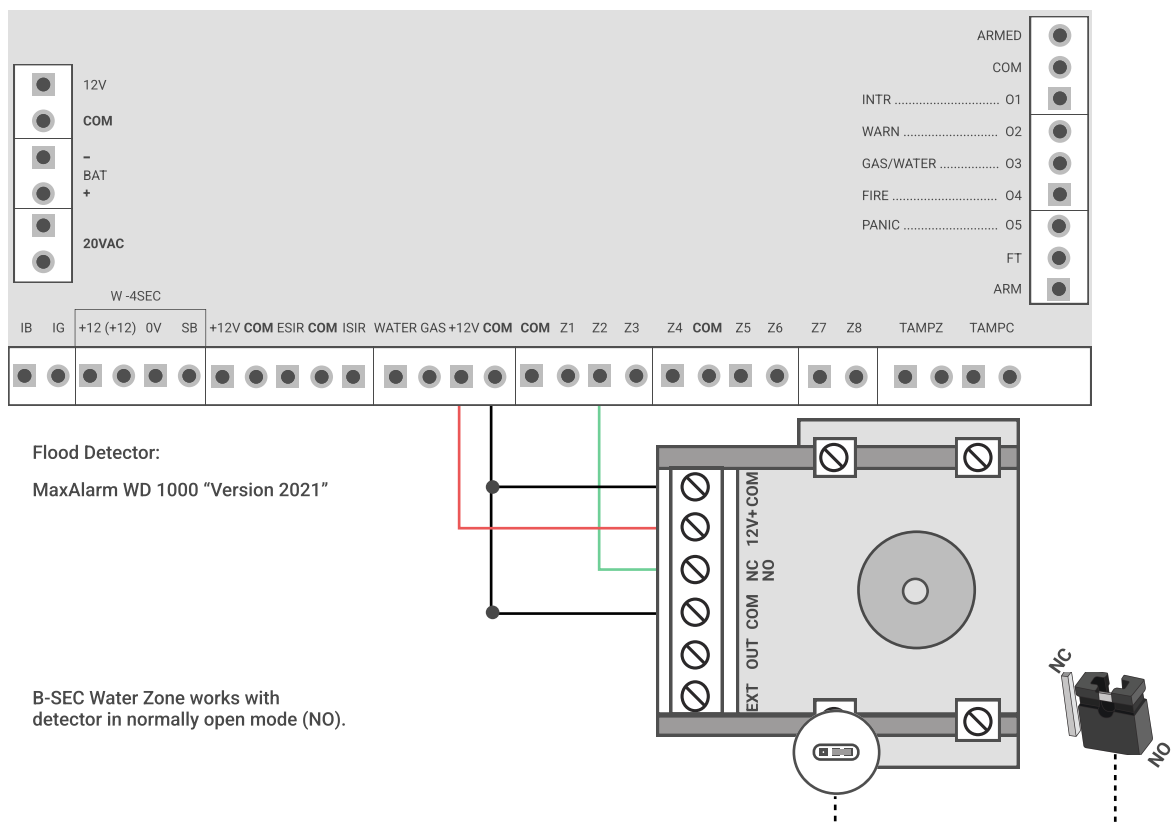
Security Center - 8 Zones

B-SEC

Wiring diagram - Motion Detector



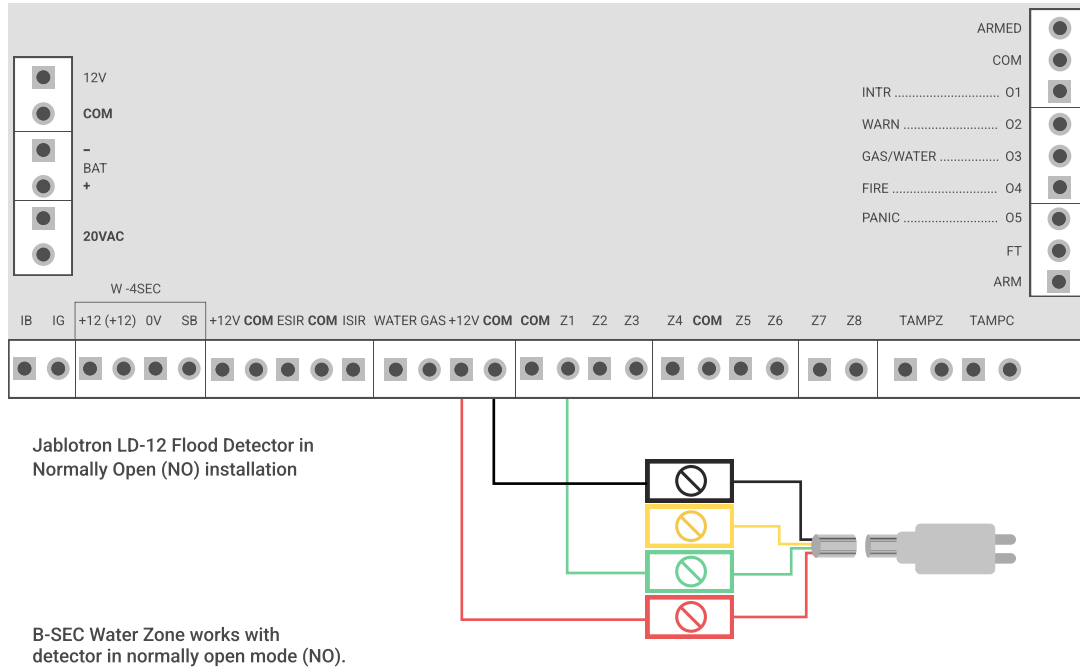
Wiring diagram - Flood Detector



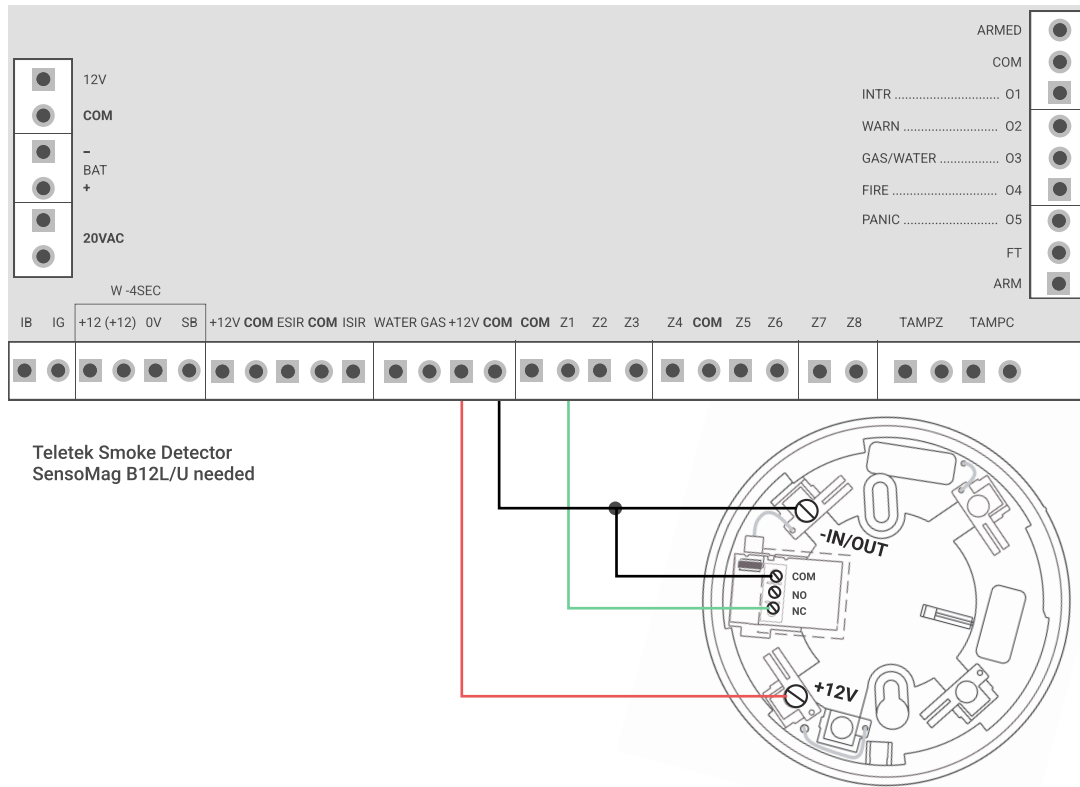
Flood Detector:
MaxAlarm WD 1000 "Version 2021"

B-SEC Water Zone works with detector in normally open mode (NO).

Wiring diagram - Flood Detector



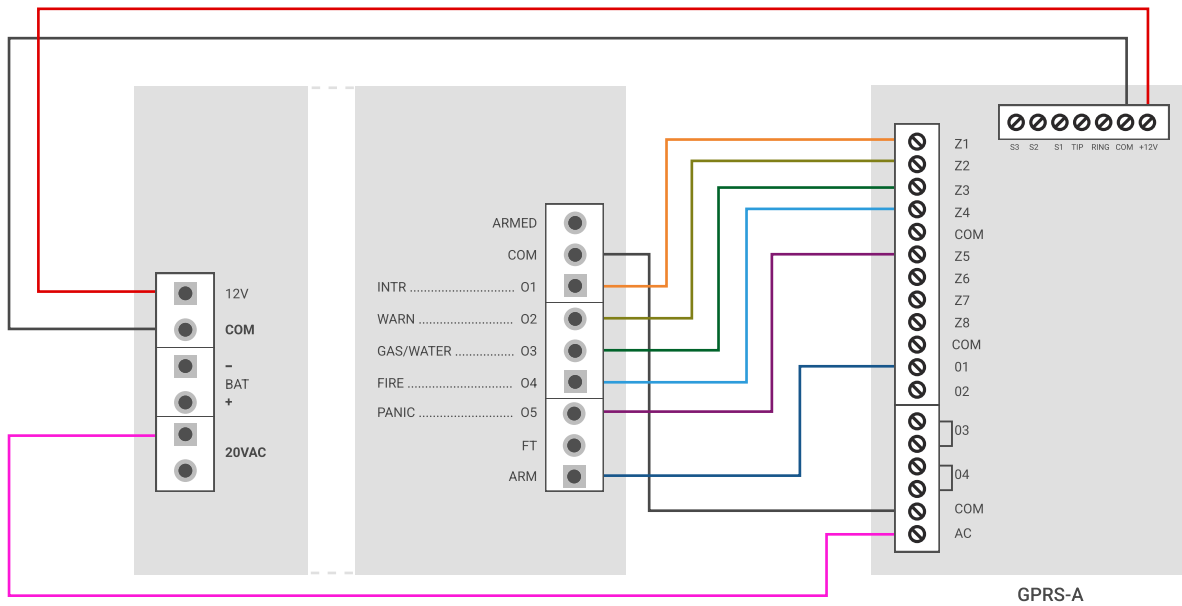
Wiring diagram - Smoke Detector



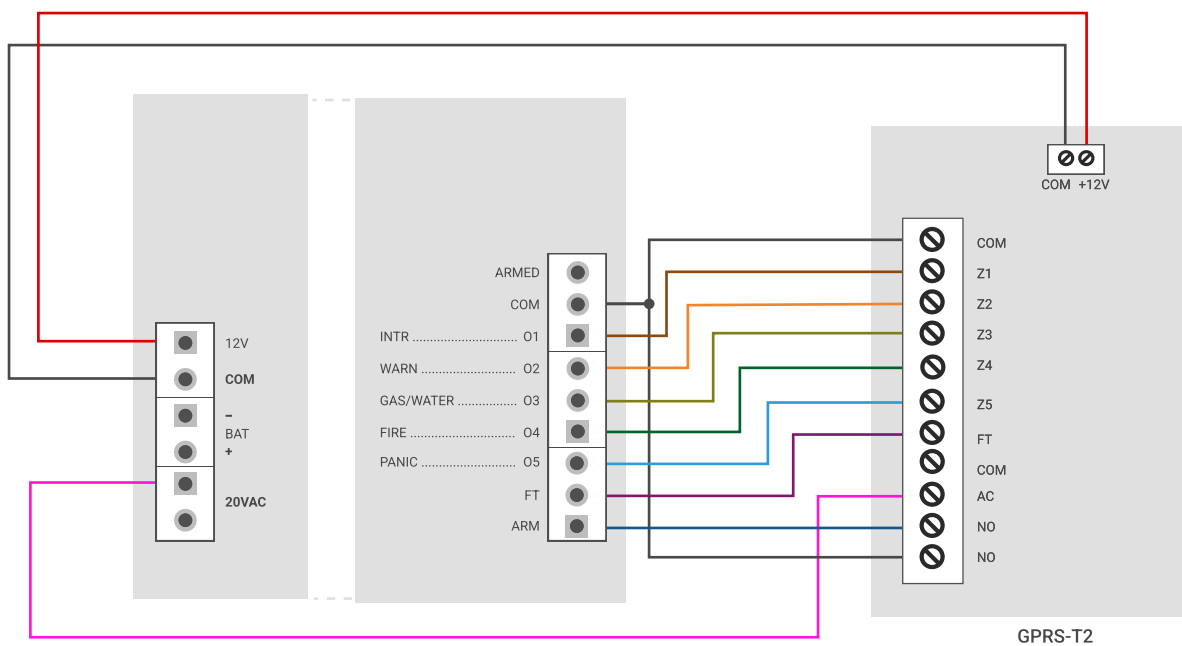
Security Center - 8 Zones


B-SEC

Wiring diagram: GPRS-A



Wiring diagram: GPRS-T2



 EEE contains hazardous substances that are harmful to human health and the environment. Never dispose of any electrical and electronic equipment in unsorted waste.