

Integrator for Security System

I-SEC

Description

I-SEC integrates third-party security systems with the Atouch System.

Functionalities

- Real-time Arm and Disarm state view by Atouch App;
- Allows set two user codes;
- Stores event and actions logs (Arm, Disarm and Intrusion).

Aplication

Housing, Hotels, Offices, Factories.

Accessories

None.

Certifications

- EN 60669-2-1
- Low voltage directive 2014/35/EU
- EMC directive 2014/30/EU

Protections

- When powered by the alarm panel, uses the same protection;
- When powered by the external power supply, the protection is provided by the isolated circuit from the D-BUSSUPPLY.

Notes

The behavior of Output 1 and Output 2 depends on the configuration. When I-SEC has no power (+12VDC), both outputs are connected to GND (NC).



Mounting

Inside security system enclosures.

Connections

- IB: Isolated BUS from D-BUSSUPPLY (x1) 0.8 mm wire Ø
- IG: Isolated GND from D-BUSSUPPLY (x1) 0.8 mm wire Ø
- 12V: Power (x1) para fio até 1.5 mm Ø
- AL: Alarm Signal (x1) for 1.5 mm wire Ø
- AR: Armed Signal (x1) for 1.5 mm wire Ø
- Out1: NC Output (x1) for 1.5 mm wire Ø
- Out2: NO Output (x1) for 1.5 mm wire Ø
- GND: GND from the alarm panel (x1) for 1.5 mm wire Ø

Electrical characteristics

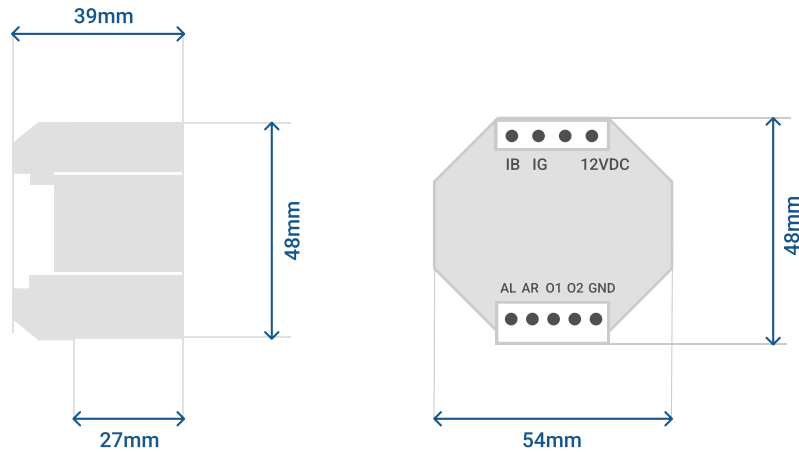
Power: 12 VDC

Warranty

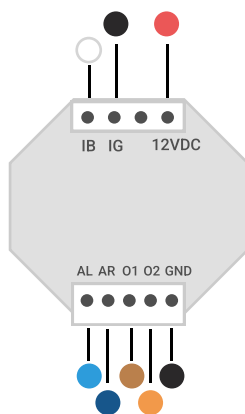
The warranty is 5 years. Keep the invoice preserved for this purpose. Warranty is void if the product shows:

- changes to the labels surrounding the product;
- electrical damage caused by misuse;
- surface damage such as scratches, cuts, and tears.

Dimensions



Inputs / Outputs

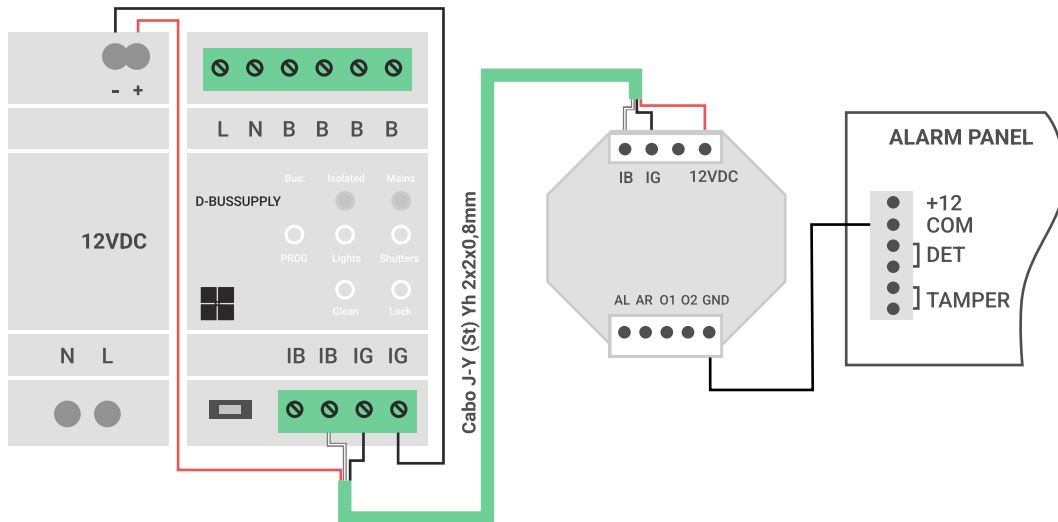


- IB:** Connect to isolated BUS (IB) - D-BUSSUPPLY;
- IG:** Connect to isolated GND (IG) - D-BUSSUPPLY;
- 12VDC:** Power (Alarm Panel).
- AL:** Alarm signal input from the Alarm Panel;
- AR:** Arm/Disarm signal input from the Alarm Panel;
- O1:** **NC** Output for Arm/Disarm command;
- O2:** **NO** Output for Arm/Disarm command;
- GND:** Connect to GND of the Alarm Panel.

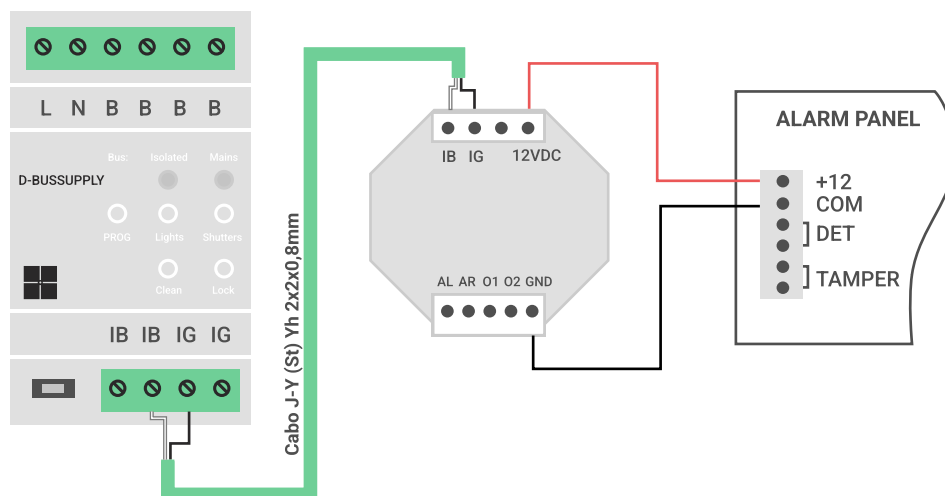
Integrator for Security System

I-SEC

Wiring diagram - Powered up from the External Power Supply



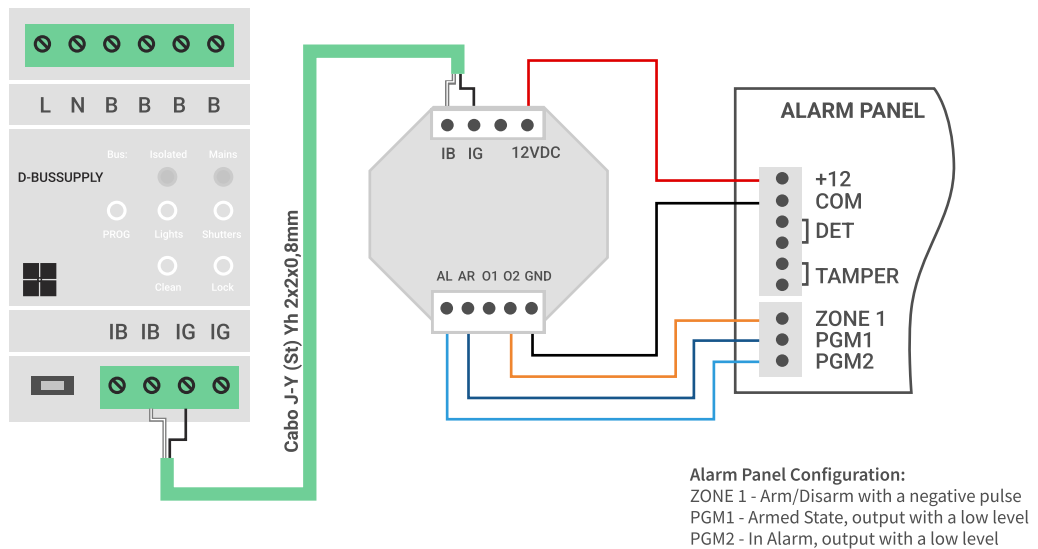
Wiring diagram - Powered up from the Alarm Panel



Integrator for Security System

I-SEC

Wiring diagram - PARADOX SP5500



Wiring diagram - SATEL INTEGRA 64

