

Summer / Winter cycle heat pump controller

D-3THHC

Description

Control module for heat pump, boiler or other heating / cooling device.
Mutually exclusive summer / winter.

Functionalities

- Controls summer and winter on the heat pump according to the house cycle - Once dry contact for ON / OFF of the heat pump.

Application

Housing, Hotels, Offices, Factories.

Accessories

None.

Certifications

- EN 60669-2-1
- Low voltage directive 2014/35 / EU
- EMC directive 2014/30 / EU

Protections

The power of this unit must be protected by a 6A circuit breaker. This circuit breaker can also protect the supply of other Atouch DIN rail modules protected by the same differential switch.

Notes

The sum of the loads of all currents must not exceed 16A. Use only a 16A circuit breaker to protect both "" power inputs.

Assembly

DIN rail mounting, 3 space modules.



Connections

- L: Phase x 1 for 1.5 mm wire Ø
- N: Neutral x 1 for 1.5 mm wire Ø
- B: Bus x 1 for 1.5 mm wire Ø
- C: Common (x2) para fio 1.5 mm Ø
- S: Summer contact (x1) para fio 1.5 mm Ø
- W: Winter contact (x1) para fio 1.5 mm Ø
- HPump IN: HeatPump ON (x1) para fio 1.5 mm Ø

Electrical characteristics

Power supply:	230 V 50 Hz
Maximum consumption:	0.5 W
Maximum current:	16 A total (cos φ=1) 10 A total (cos φ=0.4)
Contact material:	Ag alloy (Cd free)
Inputs:	24VDC até 230VAC

Warranty

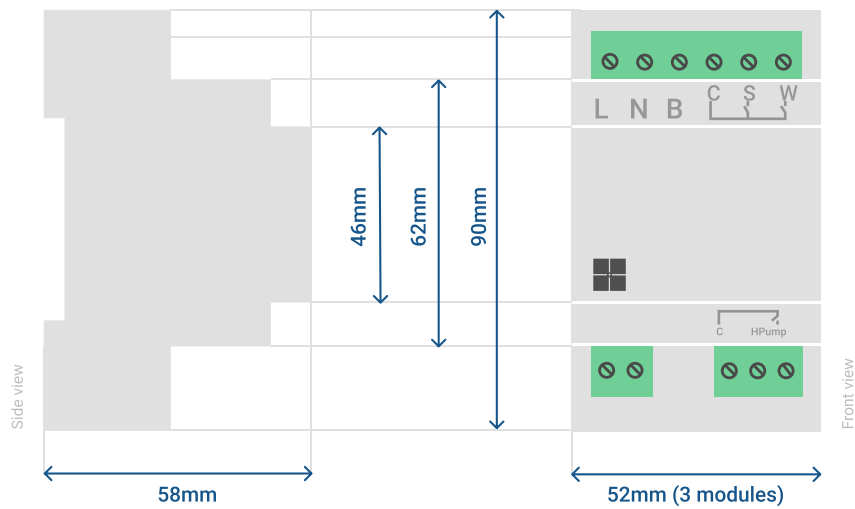
The warranty is 5 years. Keep the invoice preserved for this purpose. Warranty is void if the product shows:

- changes to the labels surrounding the product;
- electrical damage caused by misuse;
- surface damage such as scratches, cuts and tears.

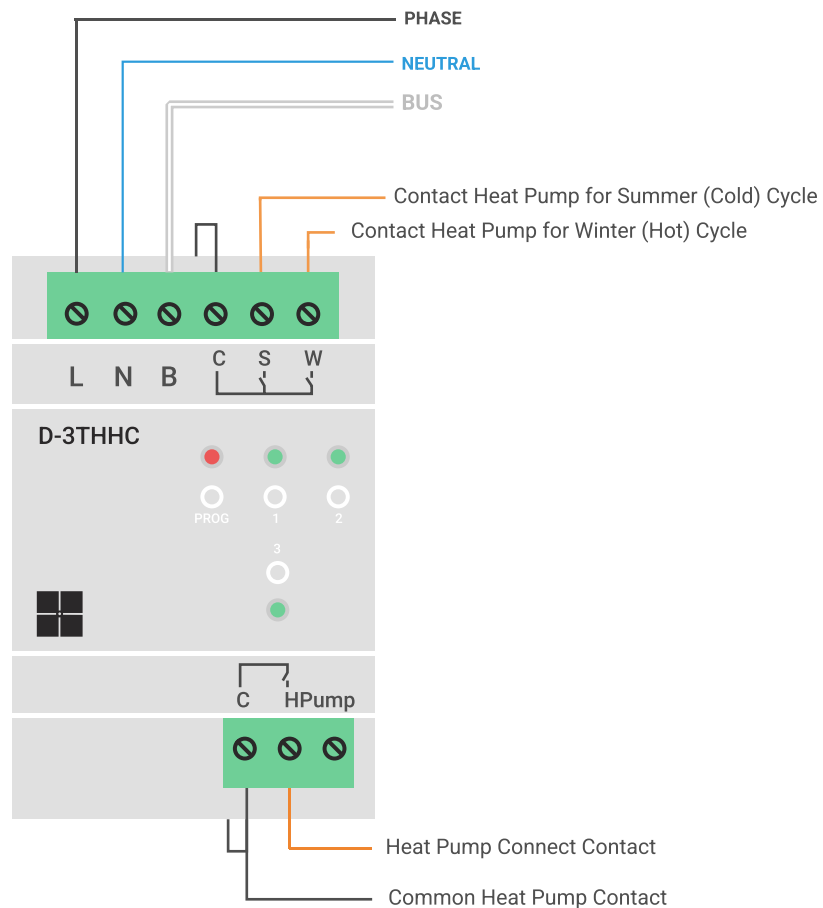
Summer / Winter cycle heat pump controller

D-3THHC

Dimensions



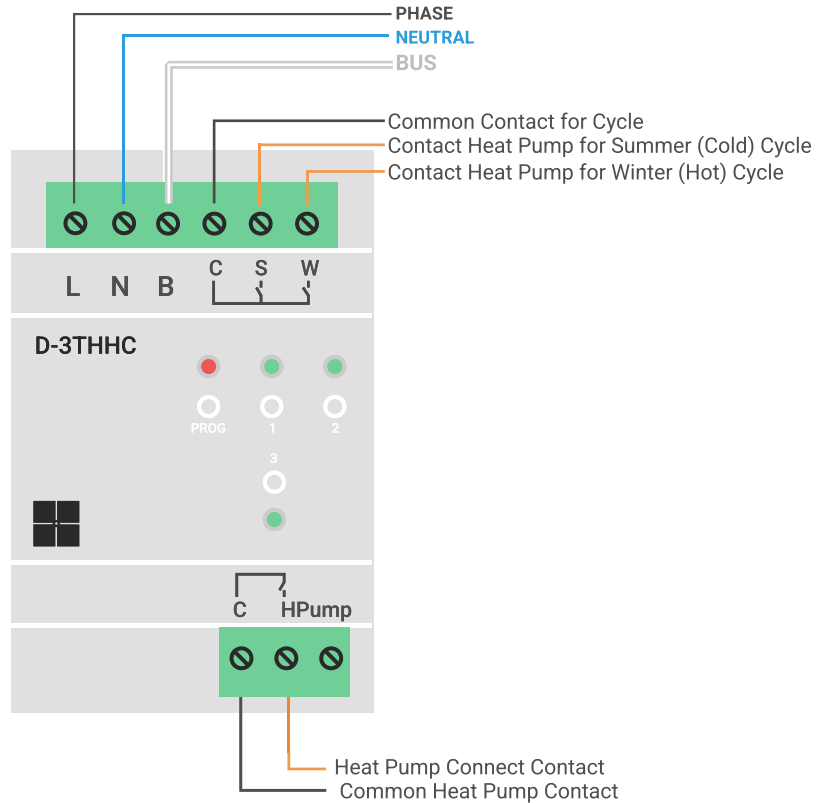
Wiring diagram - Heat pump with Common + ON, Winter, Summer



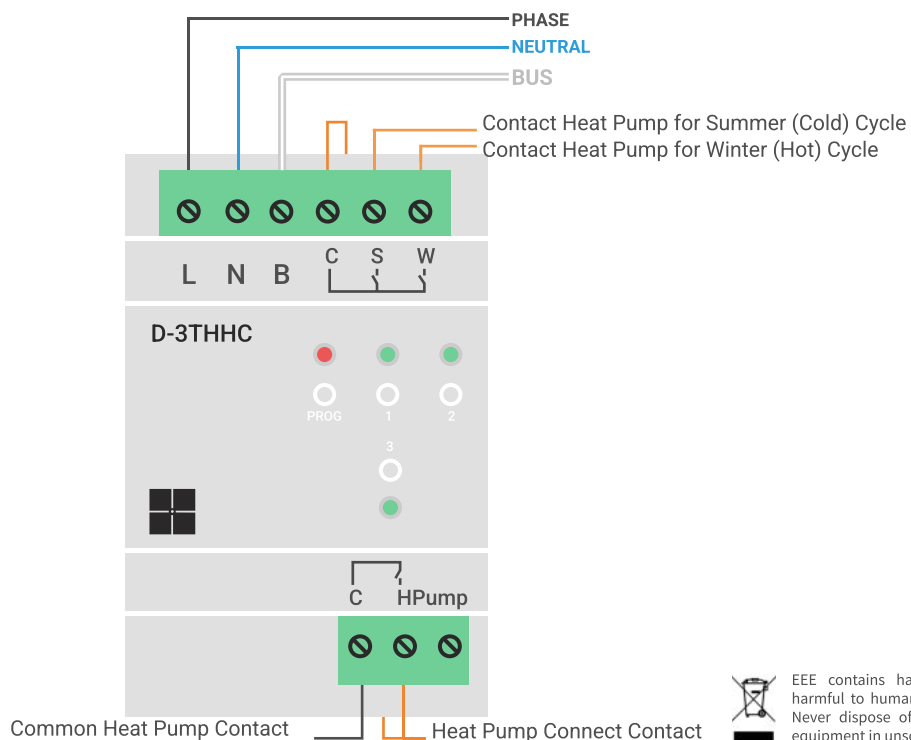
Summer / Winter cycle heat pump controller

D-3THHC

Wiring diagram - Heat pump with Common + ON different from common Winter, Summer



Wiring diagram - Heat pump with ON/OFF via no common contact Winter, Summer



EEE contains hazardous substances that are harmful to human health and the environment. Never dispose of any electrical and electronic equipment in unsorted waste.