



2-blind control 16 The DIN rail

D-2SHUTT

Description

DIN rail unit for switching 2 blinds with motors from 230V to 16A. It is indicated for the control of blinds, curtains, awnings and other motors of the same type. The unit is also equipped with 2 binary inputs for voltage detection.

Functionalities

- Interlocking up / down operation;
- Adjustable opening and lowering times;
- Memorization of the position of the blind in scenarios;
- 2 binary inputs for reading contacts;
- Simple software inversion;
- Each blind can be associated with 28 buttons.

Application

Housing, Hotels, Offices, Factories.

Accessories

none

Certifications

- EN 60669-2-1
- Low voltage directive 2014/35 / EU
- EMC directive 2014/30 / EU

Protections

This unit must be protected by a 6A circuit breaker. This circuit breaker can also protect the supply of other Atouch DIN rail modules protected by the same differential switch.

Notes

Shutter motors are inductive, therefore the permitted current is lower. In cases where the current is higher than allowed, contactors should be used. It does not dispense with the existence and tuning of the engine limit switch.



Assembly

DIN rail mounting. 3 space modules.

Connections

- Phase x 1 for 1.5 mm wire Ø
- Neutral x 1 for 1.5 mm wire Ø
- Bus x 1 for 1.5 mm wire Ø
- IN 1 x 1 for 1.5 mm wire Ø
- ▲ ▼ 1 x 1 for 1.5 mm wire Ø
- IN 2 x 1 for 1.5 mm wire Ø
- ▲ ▼ 2 x 1 for 1.5 mm wire Ø
- Binary inputs x 2 for 1.5 mm wire Ø

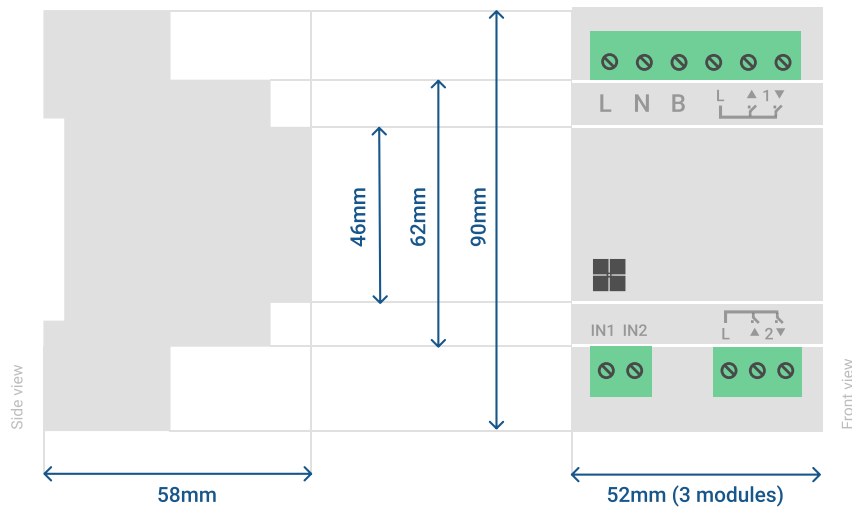
Electrical characteristics

Power:	230 V 50 Hz
Maximum consumption:	0.5 W
Maximum current:	16 A total (cos φ = 1) 10 A total (cos φ = 0.6)
Contact matter:	Ag alloy (Cd free)
Input circuit:	Voltage detection 24VDC or 230VAC

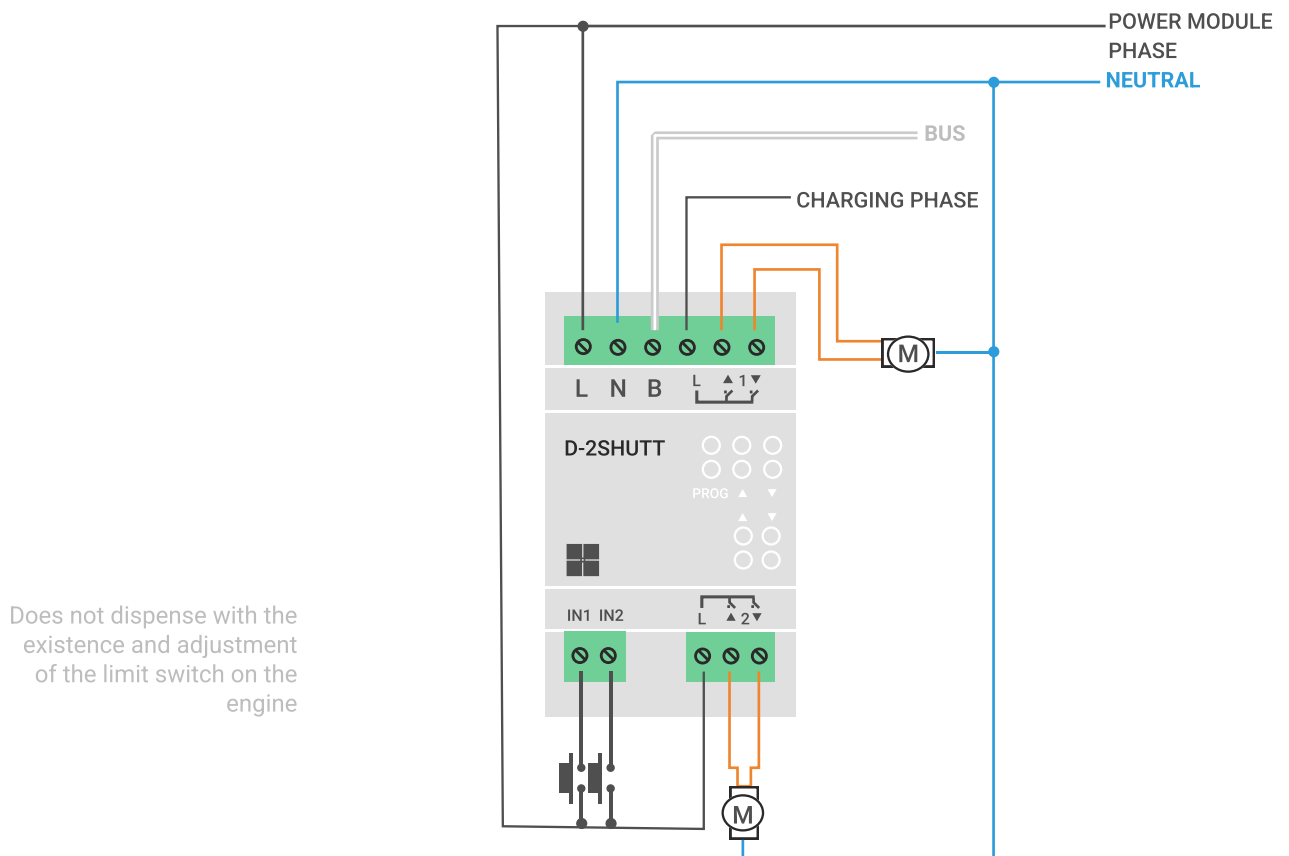
2-blind control 16 The DIN rail

D-2SHUTT

Dimensions



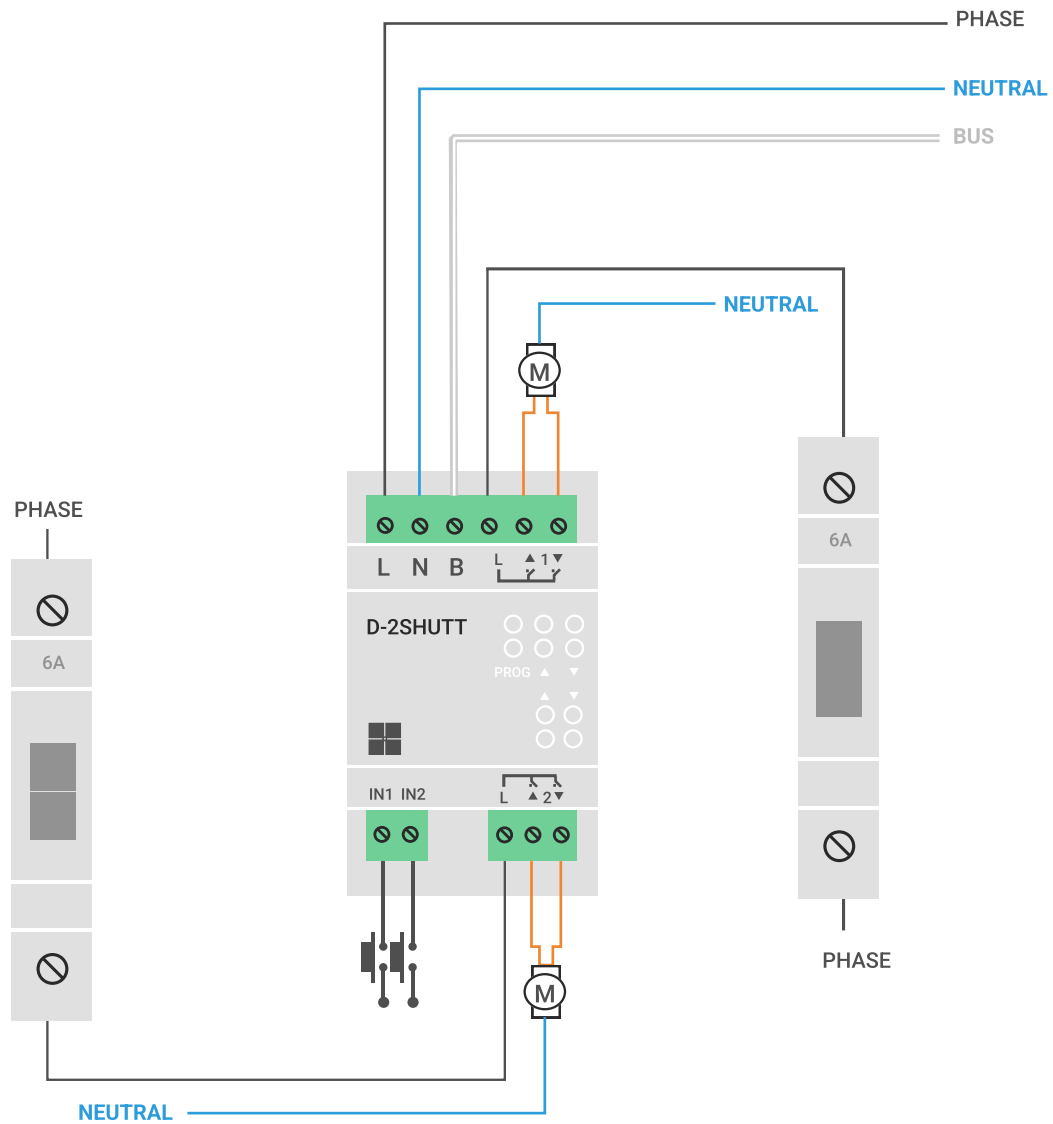
Wiring diagram



2-blind control 16 The DIN rail

D-2SHUTT

Wiring diagram with separate circuit breaker



Does not dispense with the existence and adjustment of the limit switch on the engine